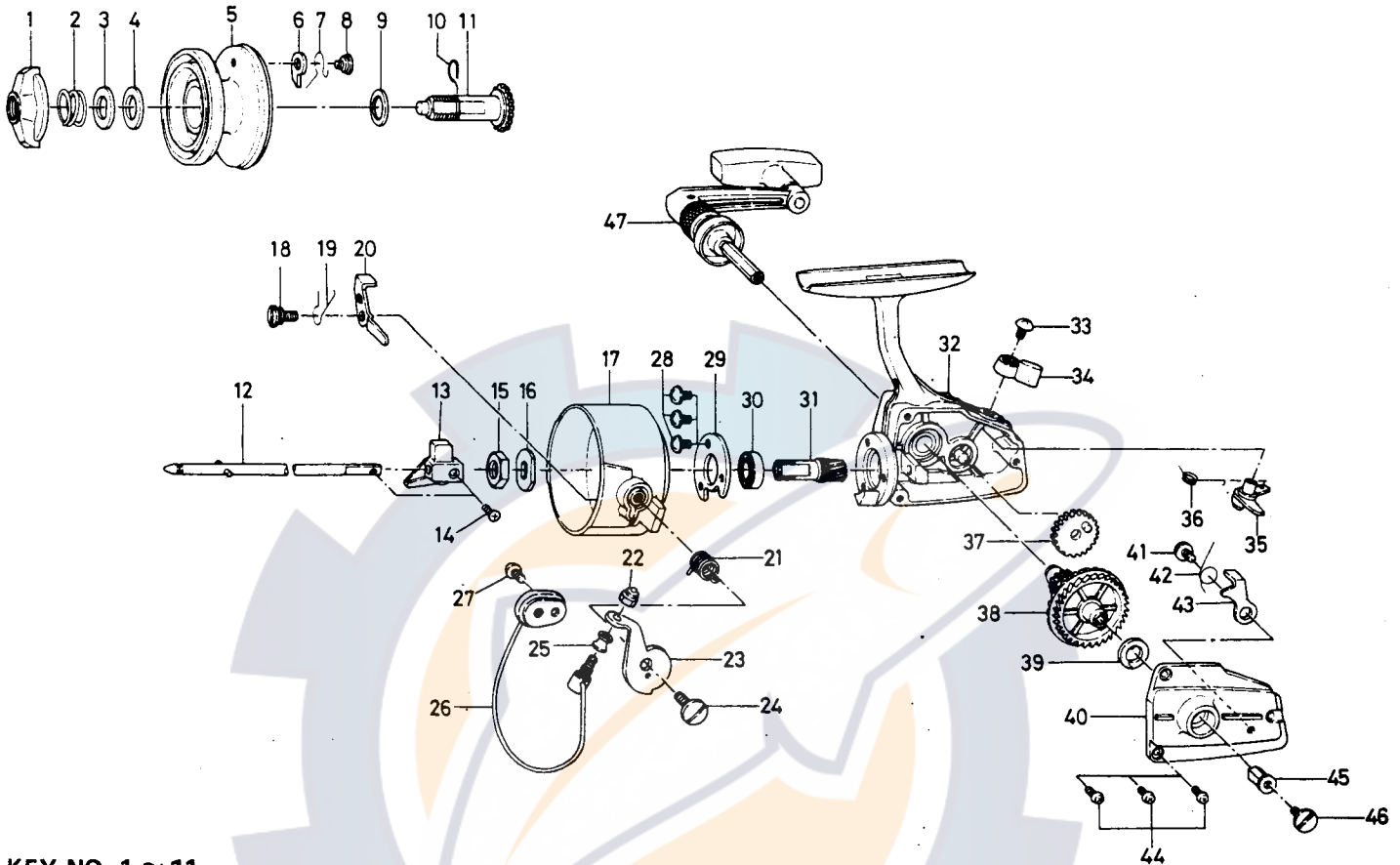


SPINNING REEL 8150HRL



KEY NO. 1 ~ 11
6-731-4362

SPOOL ASSEMBLY

| Key No. | Parts No. | Parts Name |
|---------|------------|-------------------------------|
| 1 | 6-441-5301 | Drag knob |
| 2 | 6-141-8721 | Coil spring |
| 3 | 6-373-6401 | Disc washer |
| 4 | 6-373-6501 | Washer |
| 5 | 6-513-4252 | Spool |
| 6 | 6-030-4101 | Spool click claw |
| 7 | 6-143-7431 | Spool click claw spring |
| 8 | 6-363-0711 | Spool click claw spring screw |
| 9 | 6-371-4902 | Spool washer |
| 10 | 6-142-7811 | Spool metal leaf spring |
| 11 | 6-720-0121 | Spool metal |
| 12 | 6-710-9721 | Main shaft |
| 13 | 6-481-0521 | Oscillating slider |
| 14 | 6-351-0311 | Oscillating slider screw |
| 15 | 6-341-9201 | Rotor nut |
| 16 | 6-375-3101 | Rotor retaining washer |
| 17 | 6-201-1322 | Rotor |
| 18 | 6-361-8202 | Bail kick lever screw |
| 19 | 6-143-4801 | Bail kick lever spring |
| 20 | 6-570-7111 | Bail kick lever |
| 21 | 6-141-0651 | Bail spring |
| 22 | 6-341-2701 | Bail nut |
| 23 | 6-231-0431 | Arm lever |
| 24 | 6-361-8532 | Arm lever screw |

| Key No. | Parts No. | Parts Name |
|---------|------------|--------------------------------|
| 25 | 6-250-1921 | Line roller |
| 26 | 6-725-3331 | Bail |
| 27 | 6-351-6401 | Bail holder screw |
| 28 | 6-350-1931 | Ball bearing ret. washer screw |
| 29 | 6-633-5521 | Ball bearing ret. washer |
| 30 | 6-634-1301 | Ball bearing |
| 31 | 6-402-2201 | Pinion gear |
| 32 | 6-700-6908 | Body |
| 33 | 6-350-1931 | Anti-reverse lever screw |
| 34 | 6-541-3132 | Anti-reverse lever |
| 35 | 6-460-6821 | Anti-reverse cam |
| 36 | 6-142-2801 | Anti-reverse cam spring |
| 37 | 6-413-2601 | Oscillating gear |
| 38 | 6-413-0221 | Drive gear |
| 39 | 6-370-5100 | Drive gear washer |
| 40 | 6-062-8803 | Body cover |
| 41 | 6-351-7701 | Anti-reverse claw screw |
| 42 | 6-143-9601 | Anti-reverse claw spring |
| 43 | 6-111-3411 | Anti-reverse claw |
| 44 | 6-351-1101 | Body cover screw |
| 45 | 6-501-8501 | Handle screw holder |
| 46 | 6-B22-3401 | Handle screw |
| 47 | 6-746-1341 | Handle |